

## 21X N.C.



### FEATURES

- ▶ Proven Pilating System
- ▶ Reliable for heavy applications
- ▶ Suitable for high temperature

CE



21X	2	K	V	120		B	D	A	08	024	A	S
Model valve	2= G 1/2	K= N.C.	V= FKM	120 190 250	Orifice 10 <sup>-1</sup> mm	B= 30mm Ø 13	D EN 175301-803	B= Class F	08= 8W	024= 24V	C= DC	S= Without Approval
	3= G 3/4	K= N.O.	B= NBR			U= 36mm Ø 13		V= Class H	12= 12W	112= 110V-120V	A= AC	Y= UL, CSA, VDE
	4= G 1		E= EPDM			G= 52mm Ø 13			14= 14W	230= 230V	D= AC	
			T= PTFE									

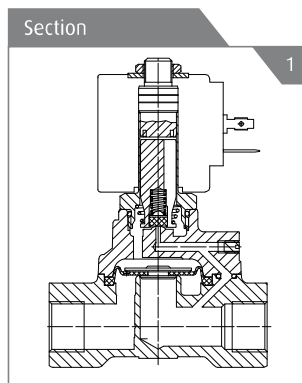
PIPE	Ø (mm)	Kv (l/min)	MAX VISCOSITY cSt (°E)	PRESSURE min	PRESSURE MAX MOPD (bar)						GAS CODE	NPT CODE	DRAWING REFERENCE
					COIL TYPE								
					AC			DC					
					B	U	G	B	U	G			
G 1/2	12	35	-	0,5	10	-	-	10	-	-	21X2KT120		1
G 1/2	12	35	12(2)	0,1	20	-	-	20	-	-	21X2KV120		1
1/2 NPT	12	35	12(2)	0,1	20	-	-	20	-	-		21XN4K1V120	1
G 3/4	19	120	-	0,5	10	-	-	10	-	-	21X3KT190		1
G 3/4	19	130	12(2)	0,1	16	-	-	16	-	-	21X3KV190		1
G 1	25	130	-	0,5	10	-	-	10	-	-	21X4KT250		1
G 1	25	160	12(2)	0,1	16	-	-	16	-	-	21X4KV120		1
1 NPT	25	160	12(2)	0,1	16	-	-	16	-	-		21XN6K1V250	1

## TECHNICAL SPECIFICATION

- ▶ **Body material:** Stainless Steel AISI 316 series
- ▶ **Armature tube:** Stainless Steel AISI 300 series
- ▶ **Plungers:** Stainless Steel AISI 400 series
- ▶ **Spring:** Stainless Steel AISI 300 series
- ▶ **Media:** steam, hot water, chemical products compatible with stainless steel, demineralized water, air, water, low pressure steam
- ▶ **Ambient temperature:** See coils catalogue page for its compatibility
- ▶ **Fluid temperature:** -10°C +90°C with NBR seals  
-10°C +140°C with FKM, EPDM seals
- ▶ (\*) +180°C with PTFE seals
- (\*) **WARNING:** For a correct functioning of the solenoid valve the minimum temperature should not be less than +60°C; in order to ensure a long diaphragm life, the steam filtration is recommended)
- ▶ **Design pressure PS:** 25 bar
- ▶ **Protection class:** IP 65 (complete with electric plug)
- ▶ **Electrical conformity:** IEC 335
- ▶ **Switching time:** 20-40 msec

## AVAILABLE ON REQUEST

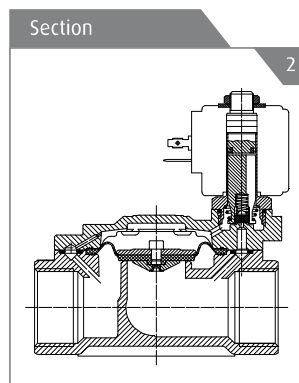
- ▶ Explosion proof coil Ex nA (see ATEX section)



### REPAIR KIT

KT130KT30-H  
KT130KV30-H

G 1/2 - 1/2 NPT  
KTG0X1KT12  
KTG0X1KV12  
G 3/4 - G 1 - 1 NPT  
KTG0X3KT19



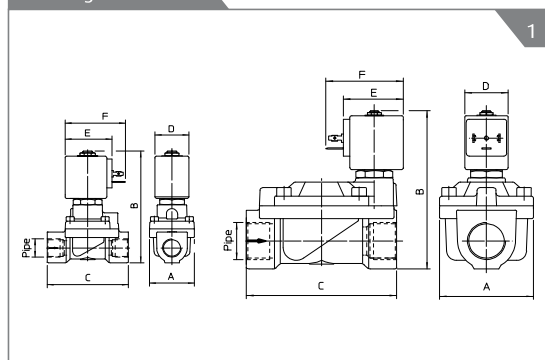
## RELATED ITEMS

- ▶ P990305: Electrical plug EN 175301-803 Pg9
- ▶ P990306: Electrical plug EN 175301-803 Pg11
- ▶ P992126: Electrical plug EN 175301-803 Pg9 (with OR screw)
- ▶ P992127: Electrical plug EN 175301-803 Pg11 (with OR screw)
- ▶ P992128: Electrical plug EN 175301-803 cable 2 wires, 53cm
- ▶ R452714: Antihumidity kit (up to IP67 protection together with plugs P992126, P992127; P992128 & H coils class)
- ▶ P992087: Timer for automatic switch

## INSTALLATION

- ▶ The solenoid valves can be mounted in any position
- ▶ Holes and threaded connections for panel fixing
- ▶ Other port connections available on request
- ▶ Maintenance and instruction sheet available in each solenoid valve box
- ▶ Availability of repair kit and coils as spares

## Drawing Reference



## Dimensionale Table

Figure	Pipe	Coil Type	A mm	B mm	C mm	D mm	E mm	F mm
1-2	G 1/2 1/2 NPT	B	40	103	73	30	42	54
	G 3/4 G 1 NPT	B	65	115	104	30	42	54

