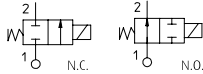


21A N.C./N.O.



FEATURES

- ▶ Wide range of application valves for liquids and gas
- ▶ Reliable proven design with high flow
- ▶ Small poppet valve for tight shutoff
- ▶ Wide range of elastomers
- ▶ Mountable in any position



21A	1	K	V	15	21A	**	B	D	A	08	024	A	S
Model valve	B= Flange	K= N.C.	V= FKM	10	Orefice 10 ⁻¹ mm	D= for 8W coil G= for 12W-14W coil	B= 30mm Ø 13	D EN 175301-803	B= Class F	08= 8W	024= 24V	C= DC	S= Without Approval
	1= G 1/8	Z= N.O.	B= NBR	20			U= 36mm Ø 13		V= Class H	12= 12W	112= 110V-120V	A= AC	Y= UL, CSA, VDE
	2= G 1/4		E= EPDM	25			G= 52mm Ø 13			14= 14W	223= 220V-230V	D= AC	
	3= G 3/8		T= PTFE	30									
	4= G 1/2		R= RUBY	45									
			55										

(**) Only for N.O. version

PIPE	Ø (mm)	Kv (l/min)	MAX VISCOSITY cSt (°E)	PRESSURE min	PRESSURE MAX MOPD (bar)						GAS CODE	NPT CODE	DRAWING REFERENCE
					COIL TYPE								
					AC			DC					
B	U	G	B	U	G								

Normally Closed

Flange	1,5	1,4	12(2)	0	30	-	-	18	-	-	21A1KV15	(Part numbering example add "N" at the 4th digit 21AN2K0V20)	1
	2	2	37(5)		22	35	35	16	30	30	21A1KV20		1
	2,5	3,2	53(7)		14	30	30	9	25	25	21A1KV25		1
	3	4	53(7)		10	25	25	6	18	20	21A1KV30		1
G 1/8	1,5	1,4	12(2)	0	30	-	-	18	-	-	21A3KV15		2
	2	2	37(5)		22	35	35	16	30	30	21A3KV20		2
	2,5	3,2	53(7)		14	30	30	9	25	25	21A3KV25		2
	3	4	53(7)		10	25	25	6	18	20	21A3KV30		2
	4,5	6,5	53(7)		5	12	12	2	7	8	21A3KV45		2
G 1/4	1,5	1,4	12(2)	0	30	-	-	18	-	-	21A2KV15		2
	2	2	37(5)		22	35	35	16	30	30	21A2KV20		3
	2,5	3,2	53(7)		14	30	30	9	25	25	21A2KV25		3
	3	4	53(7)		10	25	25	6	18	20	21A2KV30	3	
	4,5	6,5	53(7)		5	12	12	2	7	8	21A2KV45	3	
G 3/8	5,5	9	53(7)	0	3	7	10	1	2,5	5	21A2KV55	3	
	4,5	6,5	53(7)		5	12	12	2	7	8	21A5KV45	4	
G 1/2	5,5	9	53(7)	0	3	7	10	1	2,5	5	21A5KV55	4	
	4,5	6,5	53(7)		5	12	12	2	7	8	21A8KV45	5	
	5,5	9	53(7)		3	7	10	1	2,5	5	21A8KV55	5	

Normally Open

Flange	1,5	1,4	12(2)	0	25	-	-	25	-	-	21A1ZV15D	(Part numbering example add "N" at the 4th digit 21AN2K0V20)	1
	2	2	37(5)		20	-	-	20	-	-	21A1ZV20D		1
	2,5	3,2	53(7)		14	-	-	14	-	-	21A1ZV25D		1
	3	4	53(7)		10	-	-	10	-	-	21A1ZV30D		1
G 1/8	1,5	1,4	12(2)	0	25	-	-	25	-	-	21A3ZV15(*)		2
	2	2	37(5)		20	30	30	20	30	30	21A3ZV20(*)		2
	2,5	3,2	53(7)		14	17	17	14	17	17	21A3ZV25(*)		2
	3	4	53(7)		10	15	15	10	15	15	21A3ZV30(*)		2
	4,5	6,5	53(7)		5	6	6	4	-	6	21A3ZV45(*)		2
G 1/4	1,5	1,4	12(2)	0	25	-	-	25	-	-	21A2ZV15(*)		2
	2	2	37(5)		20	30	30	20	30	30	21A2ZV20(*)		3
	2,5	3,2	53(7)		14	17	17	14	17	17	21A2ZV25(*)		3
	3	4	53(7)		10	15	15	10	15	15	21A2ZV30(*)	3	
	4,5	6,5	53(7)		4	6	6	4	-	6	21A2ZV45(*)	3	
G 3/8	5,5	9	53(7)	0	2,5	3,5	3,5	2,5	-	3,5	21A2ZV55(*)	3	
	4,5	6,5	53(7)		4	6	6	4	-	6	21A5ZV45(*)	4	
G 1/2	5,5	9	53(7)	0	2,5	3,5	3,5	2,5	-	3,5	21A5ZV55(*)	4	
	4,5	6,5	53(7)		4	6	6	4	-	6	21A8ZV45(*)	5	
	5,5	9	53(7)		2,5	3,5	3,5	2,5	-	3,5	21A8ZV55(*)	5	

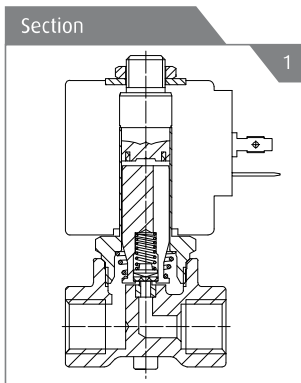
(*) D for B coil; G for U/G coil

TECHNICAL SPECIFICATION

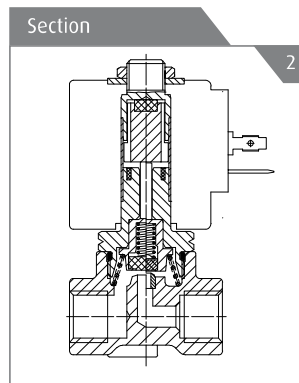
- ▶ **Body material:** Brass UNI EN 12165 CW617N
- ▶ **Armature tube:** Stainless Steel AISI 300 series
- ▶ **Plungers:** Stainless Steel AISI 400 series
- ▶ **Spring:** Stainless Steel AISI 300 series
- ▶ **Media:** mineral oils, gasoline, diesel, fuel oils
water, air, inert fluids, inert gases, steam
- ▶ **Ambient temperature:** See coils catalogue page for its compatibility
- ▶ **Fluid temperature:** -10°C +140°C with FKM and EPDM seals
-10°C +90°C with NBR seals
-40°C +180°C with PTFE and RUBY seals
- ▶ **Max allowable pressure (PS):** 40 bar
- ▶ **Protection class:** IP65 (complete with electric plug)
IP67 (with antiumidity kit can be rated to IP67)
- ▶ **Electrical conformity:** IEC 335
- ▶ **Switching time:** 20 - 40 msec (depending on pressure conditions)

AVAILABLE ON REQUEST

- ▶ Low Lead brass for food grade
- ▶ Nickel plated version
- ▶ NSF approved version
- ▶ Double spring for higher operative pressure
- ▶ High pressure up to 100bar (see High Pressure section)
- ▶ Compressor flange interface (i.e. 4690KOV20 see Drawing reference 1a)
- ▶ Manual override (i.e. 21A3KV15-M)
- ▶ Explosion proof coil Ex m (see Atex section)
- ▶ Explosion proof coil Ex d (see Atex section)
- ▶ Explosion proof coil Ex nA (see Atex section)
- ▶ Latching coil (See coil section)



REPAIR KIT
Normally Closed
Orifice ≤3mm: KT130KV30-A
Orifice >=3mm: KT130KV55-A



REPAIR KIT
Normally Open
Coil B type (8W)
Orifice ≤3mm: KT130ZV30-G
Orifice >=3mm: KT130ZV55-F
KT130KV55-A
Coil U type (12W)
Coil G type (14W)
Orifice ≤3mm: KT130ZV30-G
Orifice >=3mm: KT130ZV55-G

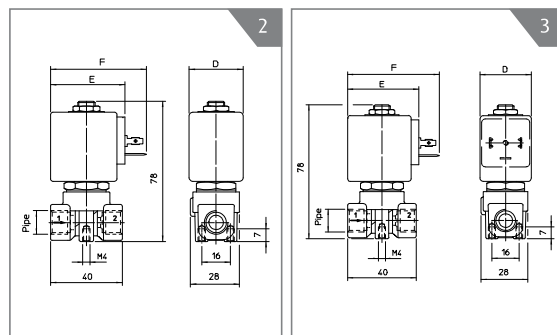
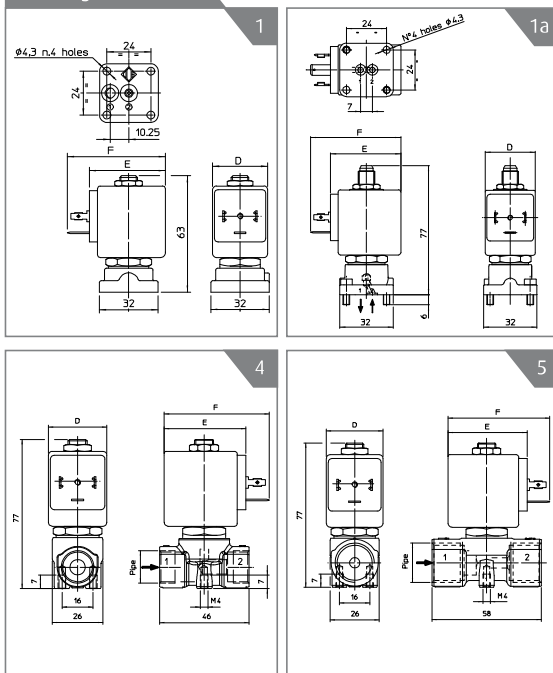
RELATED ITEMS

- ▶ P990305: Electrical plug EN 175301-803 Pg9
- ▶ P990306: Electrical plug EN 175301-803 Pg11
- ▶ P992126: Electrical plug EN 175301-803 Pg9 (with OR screw)
- ▶ P992127: Electrical plug EN 175301-803 Pg11 (with OR screw)
- ▶ P992128: Electrical plug EN 175301-803 cable 2 wires, 53cm
- ▶ R452714: Antihumidity kit (up to IP67 protection together with plugs P992126, P992127; P992128 & H coil class)
- ▶ P992087: Timer for automatic switch

INSTALLATION

- ▶ The solenoid valves can be mounted in any position
- ▶ Other port connections available on request
- ▶ Maintenance and instruction sheet available in each solenoid valve box
- ▶ Availability of repair kit and coils as spares

Drawing Reference



Dimensionale Table

Figure	Coil Type	D mm	E mm	F mm
1-1a-2-3-4-5	B	30	42	56
	U	36	48	60
	G	52	55	67

