



# Y-TYPE AUTOMATIC DIAPHRAGM VALVE (NORMAL OPEN TYPE)



**YT Series**

**Y型自動凡而**

**DY100 SOCKET/DY200 THREADED  
DY300 FLANGED  
Size: 3/8" - 2"**

## Y Type Diaphragm Valve

### Operation Instructions:

#### 1. Valve Close Operations:

Air fill in from the cap's air vent hole, and body's air vent hole clear out the air.

#### 2. Valve Open Operations:

Air fill in from the body's air vent hole and cap's air vent hole clear out the air.

### Operation Limits:

1. 1-8kg/cm<sup>2</sup>

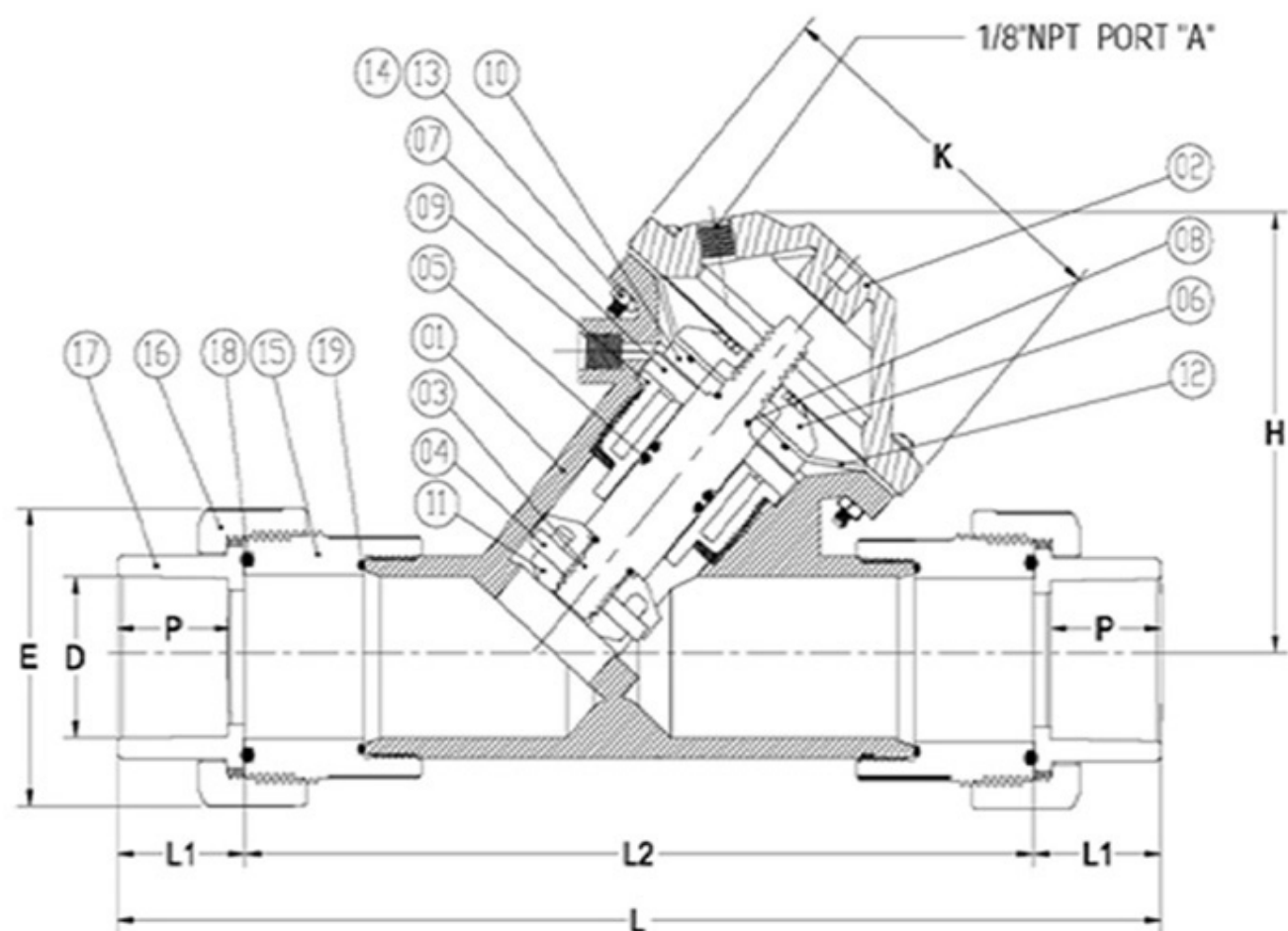
2. 1kg/cm air can open the valve (from the body's air vent hole)

3. The max. pressure inside of the valve (filled air pressure + flow pressure) is 8kg/cm<sup>2</sup>

4. The air pressure fill from the cap's air vent hole must be larger than the flow pressure that can close the valve.

## ● MATERIALS OF CONSTRUCTION

Item	Parts	Pcs	Materials
1	Body	1	PPS
2	Bonnet	1	PPS
3	Disc Plate Screw	1	PVDF
4	Disc	1	EPDM
5	Dynamic O'ring	1	EPDM
6	Shaft	1	PVDF
7	Shaft Guide	1	PVDF
8	Shaft Seal	1	EPDM
9	Body Seal	1	EPDM
10	Diaphragm Hader	1	PVDF
11	Plate Screw	1	PVDF
12	Diaphragm	1	EPDM
13	Bolt	6/8/12	SUS 304
14	Hex Nut	6/8/12	SUS 304
15	Union Body	1	UPVC
16	Union nut	1	UPVC
17	End Onnrstor	1	UPVC
18	O'ring	1	EPDM



DIMENSIONS TABLE

Unit:mm

Nom. Size Dn(inch)	L	L1	L2	H	K	E	D			P		
							JIS	ANSI	DIN	JIS	ANSI	DIN
15 (1/2")	187	25.7	135	65	63	47	22	21.3	20	22.22	22.22	16.0
20 (3/4")	195	28.5	137	65	63	61	26	26.7	25	25.40	25.40	18.5
25 (1")	232	34	162	103	83	70	32	33.4	32	28.60	28.60	22.0
32 (1-1/4")	242	38.7	163	103	83	81	38	42.2	40	31.70	31.70	26.0
40 (1-1/2")	333	42	247	128	116	89	48	48.3	50	34.90	34.90	31.0
50 (2")	350	45.2	258	128	116	101	60	60.3	63	38.10	38.10	37.5