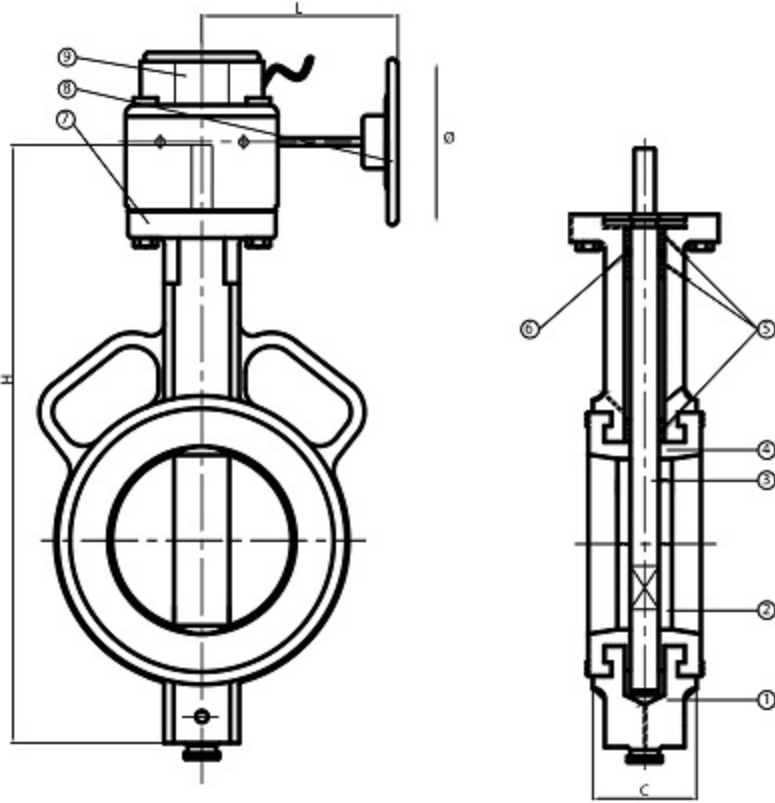


FIRE SIGNAL BUTTERFLY VALVE

Parts List & Material



No.	Part Name	Material	Standard
1	Body	Ductile Iron	ASTM A536/EN GJS 5007
2	Disc	Stainless Steel	ASTM A351CF8/CF8M
3	Seat	Rubber	NBR / EPDM
4	Shaft	Stainless Steel	AISI 304/316/420
5	Bolt	Carbon Steel + Galvanized	AISI 1025 + Galvanized
6	Washer	Carbon Steel + Galvanized	AISI 1025 + Galvanized
7	Worm Gear Box	Ductile Iron	ASTM A536
8	Hand Wheel	Carbon steel	ASTM 1025
9	Signal Box	Plastic	Commercial

DN	H	Ø	C	L
50	316	150	42	135
65	339	150	44.7	135
80	351	150	45.2	135
100	389	150	52.1	135
125	415	150	54.4	135
150	440	150 </td <td>55.8</td> <td>135</td>	55.8	135
200	521	300	60.6	182
250	581	300	65.6	182
300	662	300	76.9	182

